

# Irene 3H

Cutting a figure like no other, the Irene-3H ceilingmount fan, is rustic, yet strikingly modern with three neatly joined, solid wood walnut or barn wood tone blades. A cylindrical motor housing complements its minimal profile. Irene-3H is streamline while still appearing warm and natural.



PHYLUX



MATTHEWS

FAN COMPANY



# Irene 3H

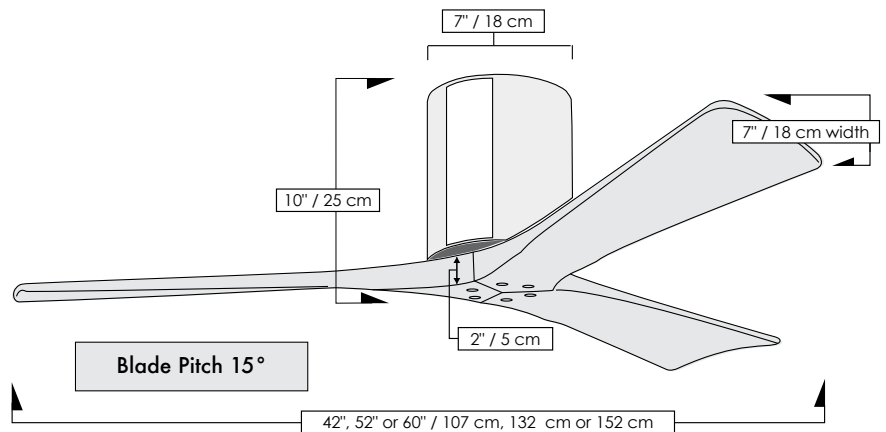
# Technical Specifications

CEILING PITCH TABLE	
0/12	0 degrees
1/12	4.76 degrees
2/12	9.46 degrees
3/12	14.04 degrees
4/12	18.43 degrees
5/12	22.62 degrees
6/12	26.57 degrees
7/12	30.26 degrees
8/12	33.69 degrees
9/12	36.87 degrees
10/12	39.81 degrees
11/12	42.51 degrees

CEILING HEIGHT TABLE
Suitable for ceiling heights 7'10" or greater

SKU NAMING CONVENTION	
SKU#	<b>IR3H-XX-XX-XX</b> (Model+Finish+Blade+Diameter)
Finishes (Ask us about custom colors)	Brushed Brass - <b>BRBR</b>
	Brushed Nickel - <b>BN</b>
	Gloss White - <b>WH</b>
	Matte Black - <b>BK</b>
	Polished Chrome - <b>CR</b>
	Textured Bronze - <b>TB</b>
Blade Finish	Barnwood Tone - <b>BW</b>
	Walnut Tone - <b>WA</b>
Fan Diameter	42 inches / 107 cm - <b>42</b>
	52 inches / 132 cm - <b>52</b>
	60 inches / 152 cm - <b>60</b>

STANDARD EQUIPMENT	
6-speed RF remote control with reverse function in black	Wireless Decora-style, 6-speed, wall control in white
	



FAN SPECIFICATIONS			
Fan Diameters	inches: 42, 52 or 60 centimeters: 107, 132 or 152		
Overall Drop	10 inches / 25 cm		
Fan Weight	11 lbs		
Voltage	110 or 220		
Motor Type	DC		
Remote Control	Hand-held, wall-mountable, 6-speed with reverse		
Wall Control	Decora-style wall control: DC-WC		
Environment	Damp locations for all finishes Neither coastal, saltwater nor chlorine compatible		
Ambience	Silent		
Safety Certification	ETL / CETL		
Warranty	Limited Lifetime		
MOTOR EFFICIENCY DATA AT HIGH SPEEDS			
	42 inch / 107 cm	52 inch / 132 cm	60 inch / 152 cm
RPM	231	193	155
CFM	3742.69	5325.57	5720.20
Watts	17.61	32.38	32.08
CFM/Watt	212.53	164.47	178.31
Blade Pitch	15°	15°	15°