

Irene 5

Cutting a figure like no other, the Irene-5 is rustic, yet strikingly modern with five neatly joined, solid wood walnut or barn wood tone blades. A spherical motor housing complements its minimal profile. Irene-5 is streamline while still appearing warm and natural.



PHYLUX





MATTHEWS

FAN COMPANY

Irene 5

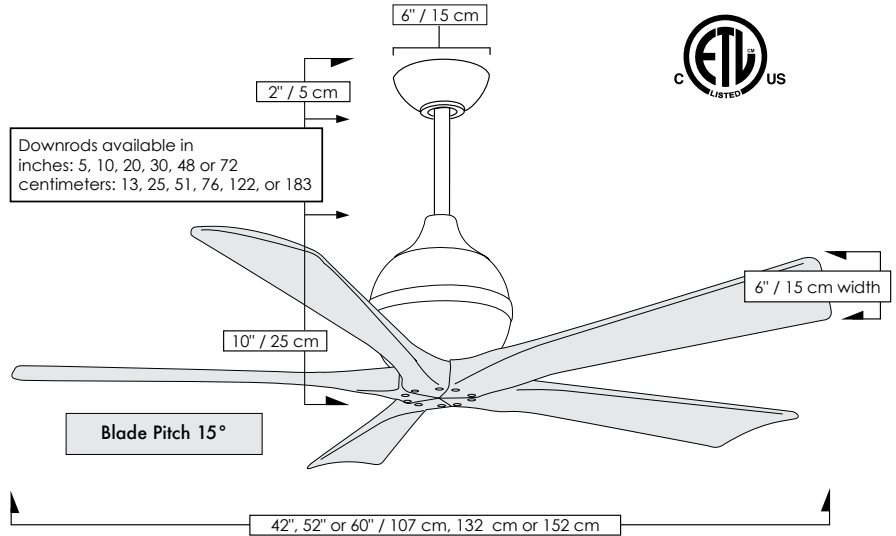
Technical Specifications

SKU NAMING CONVENTION	
SKU#	IR5-XX-XX-XX (Model+Finish+Blade+Diameter)
Finishes	Brushed Nickel - BN
	Polished Chrome - CR
	Textured Bronze - TB
Blade Finish	Barn Wood Tone - BW
	Walnut Tone - WA
Fan Diameter	42 inches / 107 cm - 42
	52 inches / 132 cm - 52
	60 inches / 152 cm - 60

STANDARD EQUIPMENT	
One downrod of 10 inches / 13 cm	
Vaulted ceiling canopy for up to 30°	
6-speed RF remote control with reverse function in black	Wireless Decora-style, 6-speed, wall control in white
	

CEILING HEIGHT / DOWNROD TABLE	
Ceiling Height	Downrod Lengths <i>Field cuttable. Non-threaded</i>
10 ft or less	5 inches / 13 cm
10 - 12 feet	10 inches / 25 cm
13 feet	20 inches / 51 cm
14 feet	30 inches / 76 cm
15 feet	48 inches / 122 cm
16 feet +	72 inches / 183 cm

CEILING PITCH TABLE	
0/12	0 degrees
1/12	4.76 degrees
2/12	9.46 degrees
3/12	14.04 degrees
4/12	18.43 degrees
5/12	22.62 degrees
6/12	26.57 degrees
7/12	30.26 degrees
8/12	33.69 degrees
9/12	36.87 degrees
10/12	39.81 degrees
11/12	42.51 degrees



FAN SPECIFICATIONS			
Fan Diameters	inches: 42, 52 or 60 centimeters: 107, 132 or 152		
Overall Drop	12 inches / 30 cm + downrod length		
Fan Weight	18 lbs		
Voltage	110 or 220		
Motor Type	DC		
Downrods Lengths <i>Field cuttable. Non-threaded</i>	inches: 5, 10, 20, 30, 48, 72 centimeters: 13, 25, 51, 76, 122, 183		
Downrod Diameter	1 inch		
Remote Control	Hand-held, wall-mountable, 6-speed with reverse		
Wall Control	Decora-style wall control: DC-WC		
Environment	Damp locations for all finishes Non-coastal, nor saltwater or chlorine compatible		
Ambience	Silent		
Safety Certification	ETL / CETL		
Warranty	Limited Lifetime		
MOTOR EFFICIENCY DATA AT HIGH SPEEDS			
	42 inch / 107 cm	52 inch / 132 cm	60 inch / 152 cm
RPM	229	156	
CFM	4260.98	5782.00	5006.19
Watts	25.33	32.18	31.38
CFM/Watt	168.22	179.70	159.53
Blade Pitch	15°	15°	15°