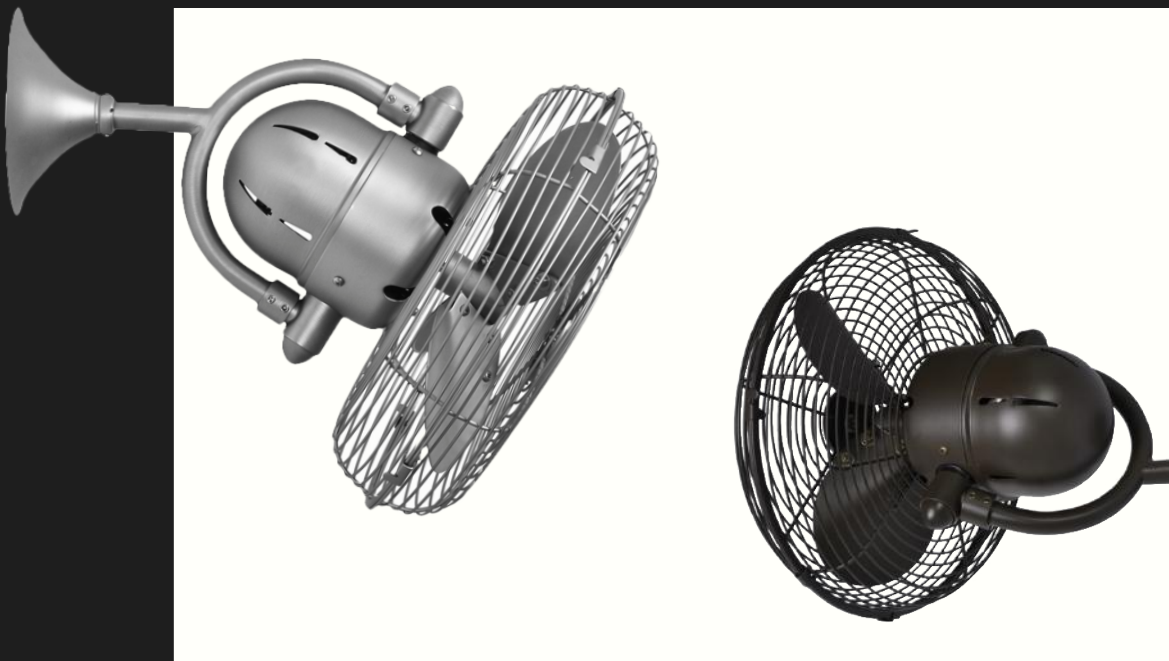


Kaye

The beautiful Kaye 3-speed versatile-mount, wall or ceiling fan, oscillates left to right, forward and reverse, in a 90° sweep. Its design is reminiscent of vintage train cabin ventilators of yester-year, and will cool down your favorite space with poise and determination. Kaye's profile is low, however its strength and character define it. Kaye can be mounted in any small or awkward spaces or in front of HVAC ducts to improve the efficiency of the heating, ventilation or air conditioning of your favorite space.



PHYLUX

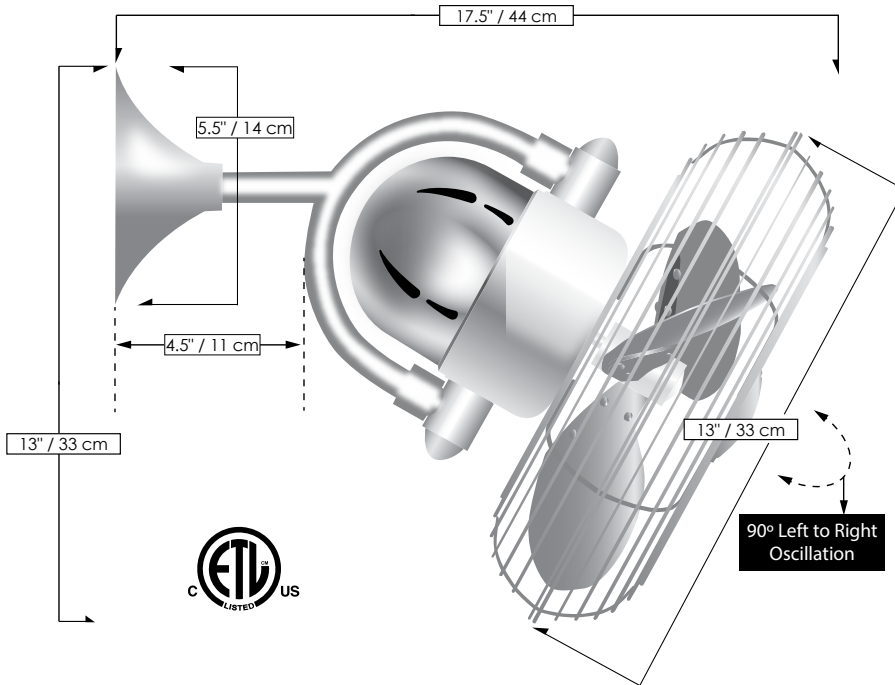


MATTHEWS



FAN COMPANY

Kaze

Technical Specifications



FAN SPECIFICATIONS	
Fan Diameter	13 inches / 33 cm
Fan Height	13 inches / 33 cm
Fan Projection	17.5 inches / 44 cm
Ceiling Mount Overall Drop	17.5 inches / 44 cm
Fan Weight	10.5 lbs
Maximum Mounting Height	Approximately 24 inches / 61 cm from ceiling
Fan Guard	Safety cage
Voltage	110 or 220
Motor Type	AC
Blade Pitch	31°
Wall Control	Decora-style 3-speed Note: 3-wire system needed to separately operate fan and oscillating mechanisms. Each fan needs its own control.
Environment	Damp locations for all finishes Neither coastal, saltwater nor chlorine compatible
Ambience	Soothing white noise
Safety Certification	ETL / CETL
Warranty	Limited Lifetime
MOTOR EFFICIENCY DATA AT HIGH SPEED	
RPM	1445
CFM	1302.65
Watts	47.68
CFM/Watt	27.32

STANDARD EQUIPMENT	
Safety cage	
Side-mounted wall junction box	
Decora-style, 3-speed wall control in white	ACCESSORY
	3-speed RF remote control in black
	
<p>Note: The remote control receiver will not fit behind the wall canopy. A clever electrician will need to hide the receiver in wall or ceiling according to code.</p>	

SKU NAMING CONVENTION	
SKU#	KC-XX (Model+Finish)
Finishes	Brushed Nickel - BN Polished Chrome - CR Textured Bronze - TB